



EXTRA WIDE AND DEEP SERIES **D3355KS Walk-In Tub**

The American Tubs' **D3355KS** from our Extra Wide and Deep Series offers a luxury spa experience in the comforts of your own home. The extra wide interior is specially designed to accommodate individuals up to 400 lbs.

The D3355KS is one of the widest and roomiest walk-in tubs on the market, second to our D3555KS model. The curved, 23 ½" doorway design allows for easy entry into the tub's interior even for someone with a large midsection. The extra-large, 26 ½" seat can only be found on the D3355KS walk-in tub, plus the spacious interior is perfect for a comfortable standing shower.

It's important to note that the D3355KS is best suited for a larger bathroom and often requires doorway widening to get into the bathroom.



Therapeutic System Options

- Hydromassage System – 10 Jet
- Air Massage System – 20 Jet
- MicroBubble Skin-Cleansing System
- Vibro Jet Massage System (Wet/Dry)

Door/Drain Orientation

- Left Hand or Right Hand



Available Colors

- White or Biscuit



Standard Features

- Marine-Grade Fiberglass & Resin Composite Tub Shell
- High-Gloss, Triple-Coated Gelcoat Finish
- One-Piece, Stainless Steel Support Frame
- 6 Adjustable Leveling Legs
- Low, 5 ¾" Door Threshold
- Ergonomic Curved Door Handle
- Water-Tight Door Seal
- 17" High, ADA-Compliant, Contoured Seat
- Interior Safety Grab Bar
- Non-Slip Textured Floor
- Integrated Door Drain
- 2 Integrated Front Access Maintenance Panels
- Color-Matched Extension Kit to fill 60"
- Flangeless Design

Contact Us Address

1101 Fullerton Rd.
City Of Industry, CA 91748

Phone

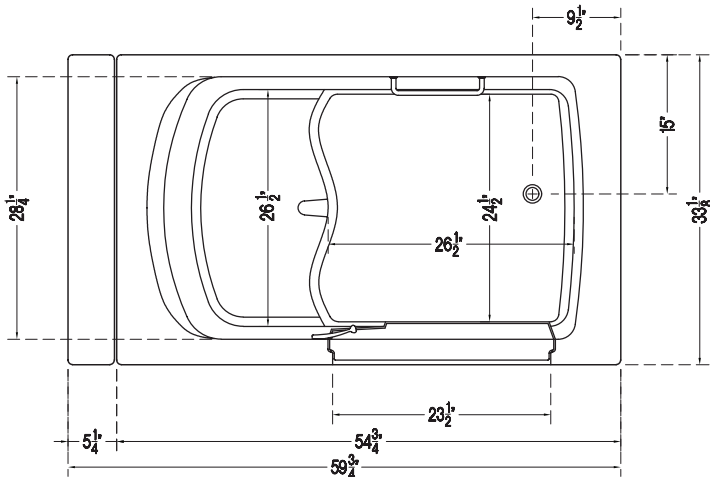
Tel: 626-581-3588
Fax: 800-943-8652

Web

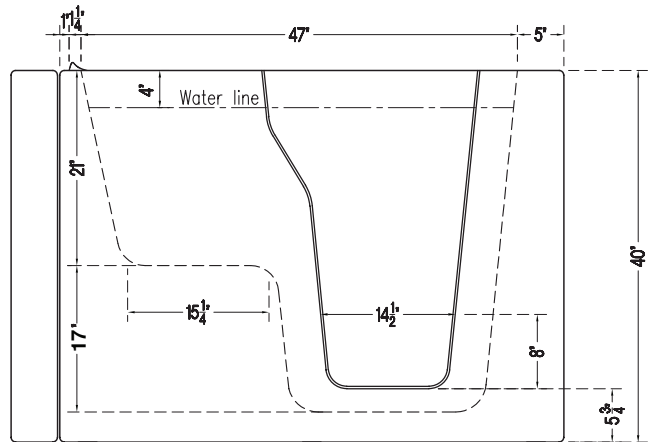
www.americantubs.com
sales@americantubs.com

D3355KS Walk-In Tub

Top View



Side View



D3355KS SPECIFICATION

Tub Dimensions	33 ¹ / ₈ " W x 54 ¹ / ₄ " L x 40" H
Top Diagonal	63 ³ / ₄ "
Tub Weight	169 lbs.
Crated Dimensions	35 ¹ / ₄ " W x 56" L x 51" H
Water Capacity (with user inside approximately)	250 lb. / 70 Gallons 300 lb. / 67 Gallons 350 lb. / 64 Gallons
Seat Dimensions	H: 17"; W: 26 ¹ / ₂ "
Door Width	23 ¹ / ₂ " (At Top)
Door Swing	Inward-Swinging

DRAIN OPTIONS

2" Hurry Drain™
Secondary Emergency Drain
Power Drain

FAUCET OPTIONS

Elite	4 pcs	Chrome	Modern
Bellevue	5 pcs	Chrome	Modern
Bellevue	5 pcs	Satin Nickel	Modern
Bellevue	5 pcs	Oil-Rubbed Bronze	Modern

Add-Ons And Upgrades Optional Accessories

- Hydro Massage System
- Air Massage System
- Vibro Jet Massage System
- Microbubbles System
- Legs Only Massage System
- Chromotherapy Light System
- Aromatherapy System
- Ozone Sanitization System
- In-Line and Friction Heaters
- Additional Hip or Knee Jets
- Bidet Jet System
- Heated Seat and Backrest
- Swing Glass Shower Door
- Swinging/Sliding Shower Door
- 4 Panel Folding Shower Screen
- L-Shaped and Straight Shower Rod Kits
- Rain Shower Faucet Package
- Adjustable Handheld Shower Holder
- Tile Flange Kit
- End Panel for the Seat and/or Faucet Side
- Neck Rest Pillow and Seat Cushion
- Bathing Support Harness
- U Safety Grab Bar



Heated Seat

Microbubble Skin Therapy System



Plumbing Safety Certified



Electrical Safety Certified



Limited Lifetime Warranty



Expedited Freight Shipping (less than 2 weeks)



American Tubs

1101 Fullerton Rd. City Of Industry, CA 91748
Tel: 626-581-3588 Fax: 800-943-8652

www.americantubs.com sales@americantubs.com