



# WHEELCHAIR SERIES

## D3052KW Walk-In Tub

The American Tubs' **D3052KW** from our Wheelchair Series represents an ambitious balance of accessibility, compactness, and functionality.

The 30" wide, outward-swinging door allows front access to the seat making transfers from a wheelchair simpler, while still being able to open the door fully in a narrow, 60" wide bathroom space.

The D3052KW comes highly recommended by in-home healthcare professionals for its simplicity when assisting wheelchair users, seniors with limited mobility, veterans, and individuals who are paraplegic or quadriplegic, amputees, and those individuals with special needs. Special attention was paid to the door and locking mechanism to ensure a worry-free, leak-proof door seal. It is an excellent choice for individuals up to 350 lbs.



### Therapeutic System Options

- Hydromassage System – 10 Jet
- Air Massage System – 20 Jet
- MicroBubble Skin-Cleansing System
- Vibro Jet Massage System (Wet/Dry)

### Door/Drain Orientation

- Left Hand or Right Hand



### Available Colors

- White or Biscuit



### Standard Features

- Marine-Grade Fiberglass & Resin Composite Tub Shell
- High-Gloss, Triple-Coated Gelcoat Finish
- One-Piece, Stainless Steel Support Frame
- 6 Adjustable Leveling Legs
- Low, 7" Door Threshold
- Locking Door Handle
- Water-Tight Door Seal
- 17" High, ADA-Compliant, Contoured Seat
- Interior Safety Grab Bar
- Non-Slip Textured Floor
- Integrated Door Drain
- 2 Integrated Front Access Maintenance Panels
- Color-Matched Extension Kit to fill 60"
- Flangeless Design

### Contact Us

#### Address

1101 Fullerton Rd.  
City Of Industry, CA 91748

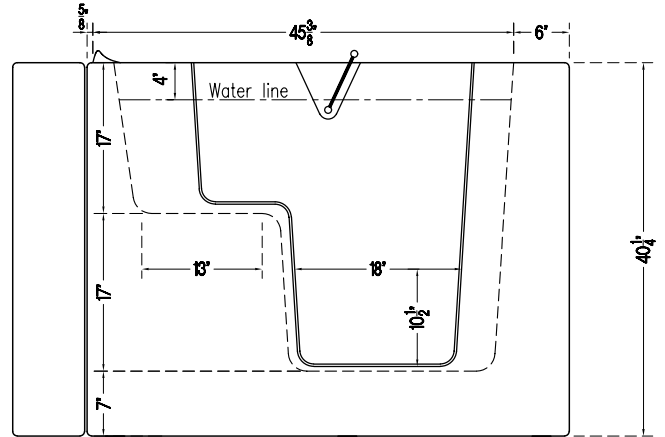
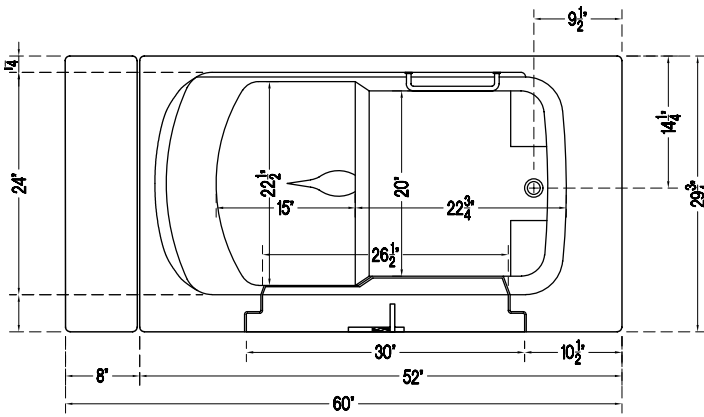
#### Phone

Tel: 626-581-3588  
Fax: 800-943-8652

#### Web

[www.americantubs.com](http://www.americantubs.com)  
[sales@americantubs.com](mailto:sales@americantubs.com)

# Top View **D3052KW Walk-In Tub** Side View



## D3052KW SPECIFICATIONS

Tub Dimensions	29 <sup>3</sup> / <sub>4</sub> " W x 52" L x 40 <sup>1</sup> / <sub>4</sub> " H
Top Diagonal	60"
Tub Weight	185 lbs.
Crated Dimensions	32" W x 54" L x 49" H
Water Capacity	120 lb. / 65 Gallons
(with user inside approximately)	200 lb. / 58 Gallons 250 lb. / 57 Gallons
Seat Dimensions	H: 17"; W: 22 <sup>1</sup> / <sub>2</sub> "
Door Width	30" (at top)
Door Swing	Outward-Swinging

## DRAIN OPTIONS

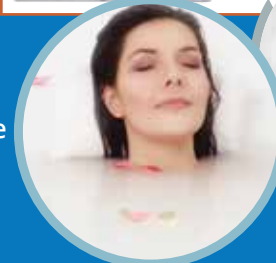
2" Hurry Drain™
Secondary Emergency Drain
Power Drain

## FAUCET OPTIONS

Elite	4 pcs	Chrome	Modern
Bellevue	5 pcs	Chrome	Modern
Bellevue	5 pcs	Satin Nickel	Modern
Bellevue	5 pcs	Oil-Rubbed Bronze	Modern

## Add-Ons And Upgrades Optional Accessories

- Hydro Massage System
- Air Massage System
- Vibro Jet Massage System
- Microbubbles System
- Legs Only Massage System
- Chromotherapy Light System
- Aromatherapy System
- Ozone Sanitization System
- In-Line and Friction Heaters
- Bidet Jet System
- Heated Seat & Backrest
- L-Shaped and Straight Shower Rod Kits
- Rain Shower Faucet Package
- Adjustable Handheld Shower Holder
- Tile Flange Kit
- End Panel for the Seat and/or Faucet Side
- Neck Rest Pillow and Seat Cushion
- Bathing Support Harness
- U Safety Grab Bar



Heated Seat

Microbubble  
Skin Therapy System



Plumbing Safety  
Certified



Electrical Safety  
Certified



Limited Lifetime  
Warranty



Expedited Freight Shipping  
(less than 2 weeks)



## American Tubs

1101 Fullerton Rd. City Of Industry, CA 91748

Tel: 626-581-3588 Fax: 800-943-8652

[www.americantubs.com](http://www.americantubs.com) [sales@americantubs.com](mailto:sales@americantubs.com)