



WHEELCHAIR SERIES

D2852KW Walk-In Tub

The American Tubs' **D2852KW** from our Wheelchair Series is the newest addition to our outward-swinging door tubs and comes packed with specialty features. The 34 ¾", extra wide, outward-swinging door is the highlight of this slide-in or transfer seat walk-in tub design. The full seat access from the exterior of the tubs was specifically engineered to accommodate wheelchair users, seniors with limited mobility, paraplegics, amputees, and those individuals with special needs. Understandably, the D2852KW comes highly recommended by in-home and long-term healthcare professionals. Special attention was paid to the door and locking mechanism to ensure a worry-free, leak-proof door seal. The D2852KW is also an excellent choice for slimmer individuals up to 350 lbs.



Therapeutic System Options

- Hydromassage System – 10 Jet
- Air Massage System – 20 Jet
- MicroBubble Skin-Cleansing System
- Vibro Jet Massage System (Wet/Dry)

Door/Drain Orientation

- Left Hand or Right Hand



Available Colors

- White or Biscuit



Standard Features

- Marine-Grade Fiberglass & Resin Composite Tub Shell
- High-Gloss, Triple-Coated Gelcoat Finish
- One-Piece, Stainless Steel Support Frame
- 6 Adjustable Leveling Legs
- Low, 7½" Door Threshold
- Locking Door Handle
- Water-Tight Door Seal
- 17" High, ADA-Compliant, Contoured Seat
- Interior Safety Grab Bar
- Non-Slip Textured Floor
- Integrated Door Drain
- 2 Integrated Front Access Maintenance Panels
- Color-Matched Extension Kit to fill 60"
- Flangeless Design

Contact Us Address

1101 Fullerton Rd.
City Of Industry, CA 91748

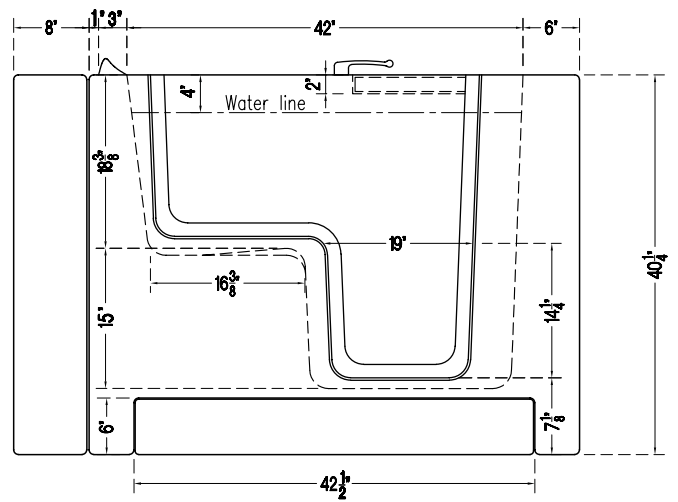
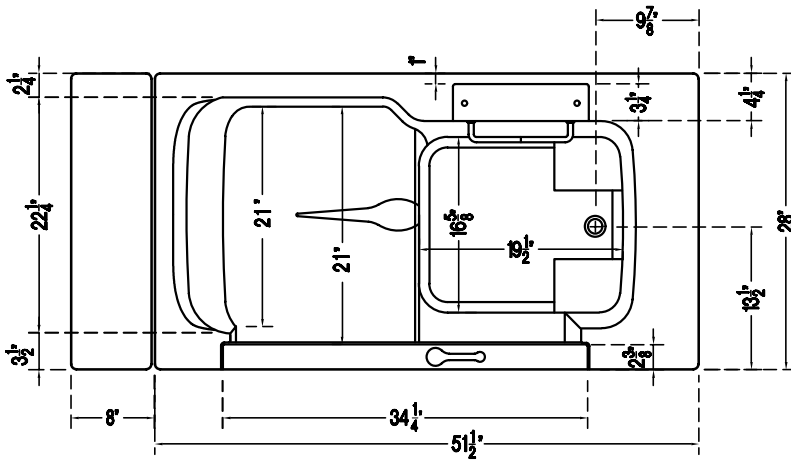
Phone

Tel: 626-581-3588
Fax: 800-943-8652

Web

www.americantubs.com
sales@americantubs.com

Top View **D2852KW Walk-In Tub** Side View



D2852KW SPECIFICATIONS

Tub Dimensions	28" W x 52" L x 40 1/4" H
Top Diagonal	59 1/4"
Tub Weight	200 lbs.
Crated Dimensions	30" W x 54" L x 52" H
Water Capacity	120 lb. / 63 Gallons (with user inside approximately) 200 lb. / 58 Gallons 250 lb. / 55 Gallons
Seat Dimensions	H: 15"; W: 21"
Door Width	34 3/4" (at top)
Door Swing	Outward-Swinging

DRAIN OPTIONS

2" Hurry Drain™
Secondary Emergency Drain
Power Drain

FAUCET OPTIONS

Elite	4 pcs	Chrome	Modern
Bellevue	5 pcs	Chrome	Modern
Bellevue	5 pcs	Satin Nickel	Modern
Bellevue	5 pcs	Oil-Rubbed Bronze	Modern

Add-Ons And Upgrades Optional Accessories

- Hydro Massage System
- Air Massage System
- Vibro Jet Massage System
- Microbubbles System
- Legs Only Massage System
- Chromotherapy Light System
- Aromatherapy System
- Ozone Sanitization System
- In-Line and Friction Heaters
- Bidet Jet System
- Heated Seat & Backrest
- L-Shaped and Straight Shower Rod Kits
- Rain Shower Faucet Package
- Adjustable Handheld Shower Holder
- Tile Flange Kit
- End Panel for the Seat and/or Faucet Side
- Neck Rest Pillow and Seat Cushion
- Bathing Support Harness
- U Safety Grab Bar



Microbubble Skin Therapy System

Heated Seat



Plumbing Safety Certified



Electrical Safety Certified



Limited Lifetime Warranty



Expedited Freight Shipping (less than 2 weeks)



American Tubs

1101 Fullerton Rd. City Of Industry, CA 91748

Tel: 626-581-3588 Fax: 800-943-8652

www.americantubs.com sales@americantubs.com