



STANDARD SERIES D2852KS Walk-In Tub

The American Tubs' **D2852KS** from our Standard Series allowing users for a roomy and comfortable bathing experience.

Boasting a 41" height, this model provides a deep soaking experience for the upper body. Additionally, its relatively compact outer dimensions allow it to be maneuvered easily through most standard doorways, hallways, and stairwells. The innovative curved door design affectionately called the "knee saver", features a large 20" wide upper measurement with a narrow 14" lower width on the door making closing the door while seated significantly easier.

Aesthetically appealing to the eye, yet spacious and accommodating, the D2852KS is ideal for individuals up to 230lbs. It is no wonder the D2852KS is quickly becoming our top seller.



Therapeutic System Options

- Hydromassage System – 10 Jet
- Air Massage System – 20 Jet
- MicroBubble Skin-Cleansing System
- Vibro Jet Massage System (Wet/Dry)

Door/Drain Orientation

- Left Hand or Right Hand



Available Colors

- White or Biscuit



Standard Features

- Marine-Grade Fiberglass & Resin Composite Tub Shell
- High-Gloss, Triple-Coated Gelcoat Finish
- One-Piece, Stainless Steel Support Frame
- 6 Adjustable Leveling Legs
- Low, 5" Door Threshold
- Ergonomic Curved Door Handle
- Water-Tight Door Seal
- 17" High, ADA-Compliant, Contoured Seat
- Interior Safety Grab Bar
- Non-Slip Textured Floor
- Integrated Door Drain
- 2 Integrated Front Access Maintenance Panels
- Color-Matched Extension Kit to fill 60"
- Flangeless Design

Contact Us Address

1101 Fullerton Rd.
City Of Industry, CA 91748

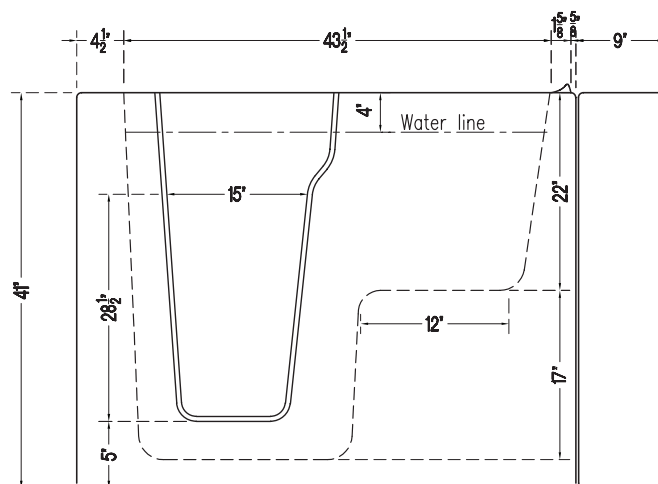
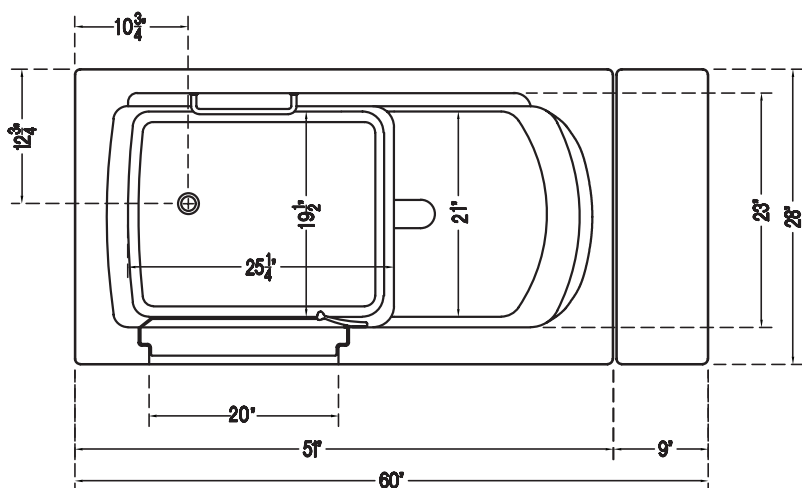
Phone

Tel: 626-581-3588
Fax: 800-943-8652

Web

www.americantubs.com
sales@americantubs.com

Top View **D2852KS Walk-In Tub** Side View



D2852KS SPECIFICATION

Tub Dimensions	28" W x 51" L x 41" H
Top Diagonal	58 1/4"
Tub Weight	150 lbs.
Crated Dimensions	30" W x 53" L x 50" H
Water Capacity (with user inside approximately)	120 lb. / 61 Gallons 200 lb. / 56 Gallons 220 lb. / 54 Gallons
Seat Dimensions	H: 17"; W: 21"
Door Width	20" (At Top)
Door Swing	Inward-Swinging

DRAIN OPTIONS

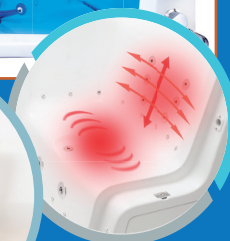
2" Hurry Drain™
Secondary Emergency Drain
Power Drain

FAUCET OPTIONS

Elite	4 pcs	Chrome	Modern
Bellevue	5 pcs	Chrome	Modern
Bellevue	5 pcs	Satin Nickel	Modern
Bellevue	5 pcs	Oil-Rubbed Bronze	Modern

Add-Ons And Upgrades Optional Accessories

- Hydro Massage System
- Air Massage System
- Vibro Jet Massage System
- Microbubbles System
- Legs Only Massage System
- Chromotherapy Light System
- Aromatherapy System
- Ozone Sanitization System
- In-Line and Friction Heaters
- Additional Hip or Knee Jets
- Bidet Jet System
- Heated Seat and Backrest
- Swing Glass Shower Door
- Swinging/Sliding Shower Door
- 4 Panel Folding Shower Screen
- L-Shaped and Straight Shower Rod Kits
- Rain Shower Faucet Package
- Adjustable Handheld Shower Holder
- Tile Flange Kit
- End Panel for the Seat and/or Faucet Side
- Neck Rest Pillow and Seat Cushion
- Bathing Support Harness
- U Safety Grab Bar



Heated Seat

Microbubble Skin Therapy System



Plumbing Safety Certified

Electrical Safety Certified

Limited Lifetime Warranty

Expedited Freight Shipping (less than 2 weeks)



American Tubs

1101 Fullerton Rd. City Of Industry, CA 91748
Tel: 626-581-3588 Fax: 800-943-8652

www.americantubs.com sales@americantubs.com