



EXTRA WIDE AND DEEP SERIES **D3055KD Walk-In Tub**

The American Tubs D3055KD from our Extra Wide and Deep Series encapsulates the essence of a luxurious and pampering walk-in tub experience. With its 46" height and 21" soaking depth, the D3055KD is the deepest walk-in tub on the market. Emulating the immense soaking baths found in Japan, the D3055KD enables the bather to fully immerse themselves in warm water for a truly sumptuous bathing experience. This is an excellent tub choice for users 6'1" or taller. It is very important to consider the size of the current hot water heater when evaluating this model for your home, as it can require up to 100 gallons of water with a smaller bather. To ensure a balmy and relaxing bath, most homeowners pair the D3055KD with a larger water heater tank, fast-fill faucets, and our patented 2" HurryDrain™.



Therapeutic System Options

- Hydromassage System – 10 Jet
- Air Massage System – 20 Jet
- MicroBubble Skin-Cleansing System
- Vibro Jet Massage System (Wet/Dry)

Door/ Drain Orientation

- Left Hand or Right Hand



Available Colors

- White or Biscuit



Standard Features

- Marine-Grade Fiberglass & Resin Composite Tub Shell
- High-Gloss, Triple-Coated Gelcoat Finish
- One-Piece, Stainless Steel Support Frame
- 6 Adjustable Leveling Legs
- Low, 6 3/4" Door Threshold
- Ergonomic Curved Door Handle
- Water-Tight Door Seal
- 17" High, ADA-Compliant, Contoured Seat
- Interior Safety Grab Bar
- Non-Slip Textured Floor
- Integrated Door Drain
- 2 Integrated Front Access Maintenance Panels
- Color-Matched Extension Kit to fill 60"
- Flangeless Design

Contact Us Address

1101 Fullerton Rd.
City Of Industry, CA 91748

Phone

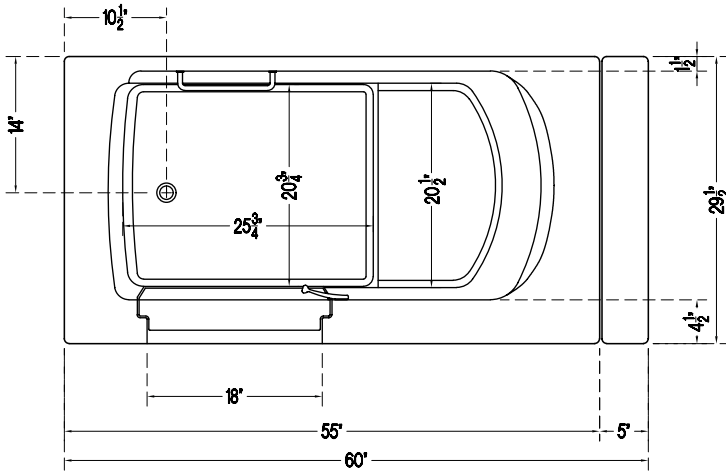
Tel: 626-581-3588
Fax: 800-943-8652

Web

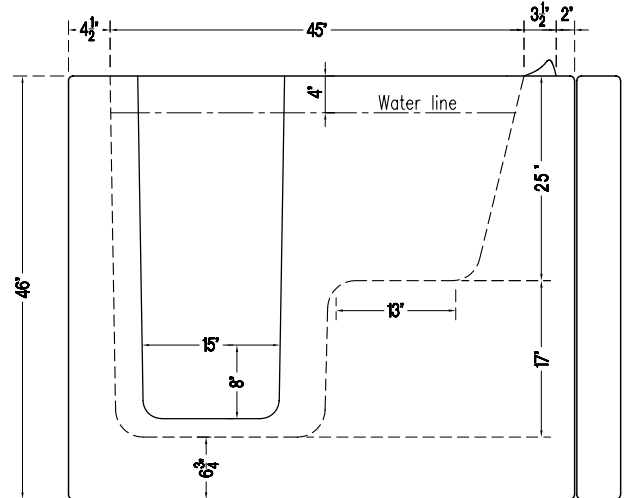
www.americantubs.com
sales@americantubs.com

D3055KD Walk-In Tub

Top View



Side View



D3055KD SPECIFICATIONS

Tub Dimensions	29½" W x 55" L x 46" H
Top Diagonal	62½"
Tub Weight	190 lbs.
Crated Dimensions	33" W x 57" L x 56" H
Water Capacity (with user inside approximately)	120 lb. / 100 Gallons 200 lb. / 95 Gallons 250 lb. / 90 Gallons
Seat Dimensions	H: 17"; W: 20½"
Door Width	18" (At Top)
Door Swing	Inward-Swinging

DRAIN OPTIONS

2" Hurry Drain™
Secondary Emergency Drain
Power Drain

FAUCET OPTIONS

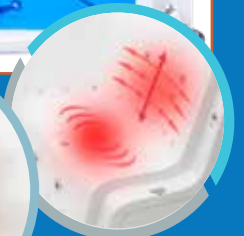
Elite	4 pcs	Chrome	Modern
Bellevue	5 pcs	Chrome	Modern
Bellevue	5 pcs	Satin Nickel	Modern
Bellevue	5 pcs	Oil-Rubbed Bronze	Modern

Add-Ons And Upgrads

- Hydro Massage System
- Air Massage System
- Vibro Jet Massage System
- Microbubbles System
- Legs Only Massage System
- Chromotherapy Light System
- Aromatherapy System
- Ozone Sanitization System
- In-Line and Friction Heaters
- Additional Hip or Knee Jets

Optional Accessories

- Heated Seat and Backrest
- Swing Glass Shower Door
- Swinging/Sliding Shower Door
- 4 Panel Folding Shower Screen
- L-Shaped and Straight Shower Rod Kits
- Rain Shower Faucet Package
- Adjustable Handheld Shower Holder
- Tile Flange Kit
- End Panel for the Seat and/or Faucet Side
- Neck Rest Pillow and Seat Cushion
- Bathing Support Harness
- U Safety Grab Bar



Heated Seat

Microbubble Skin Therapy System



Plumbing Safety Certified



Electrical Safety Certified



Limited Lifetime Warranty



Expedited Freight Shipping (less than 2 weeks)



American Tubs

1101 Fullerton Rd. City Of Industry, CA 91748

Tel: 626-581-3588 Fax: 800-943-8652

www.americantubs.com sales@americantubs.com