



# STANDARD SERIES D3052KS Walk-In Tub

The American Tubs' **D3052KS** from our Standard Series represents an updated twist on the more traditional walk-in tub design. With its 38¾" high tub basin, the D3052KS offers an increased bathing depth while maintaining a compact footprint for small bathrooms. Its overall size and 22½" seat makes the D3052KS the perfect size for narrow bathrooms, while being large enough to accommodate individuals between 120-230lbs.

The innovative curved door design, affectionately called the "knee saver" design, makes closing the door from a seated position much simpler, while its 20" door width provides ample entry space for larger individuals. This newer rendition of the D3052KS has overtaken other traditional models as one of our top sellers.



## Therapeutic System Options

- Hydromassage System – 10 Jet
- Air Massage System – 20 Jet
- MicroBubble Skin-Cleansing System
- Vibro Jet Massage System (Wet/Dry)

## Door/Drain Orientation

- Left Hand or Right Hand



## Available Colors

- White or Biscuit



## Standard Features

- Marine-Grade Fiberglass & Resin Composite Tub Shell
- High-Gloss, Triple-Coated Gelcoat Finish
- One-Piece, Stainless Steel Support Frame
- 6 Adjustable Leveling Legs
- Low, 5" Door Threshold
- Ergonomic Curved Door Handle
- Water-Tight Door Seal
- 17" High, ADA-Compliant, Contoured Seat
- Interior Safety Grab Bar
- Non-Slip Textured Floor
- Integrated Door Drain
- 2 Integrated Front Access Maintenance Panels
- Color-Matched Extension Kit to fill 60"
- Flangeless Design

## Contact Us Address

1101 Fullerton Rd.  
City Of Industry, CA 91748

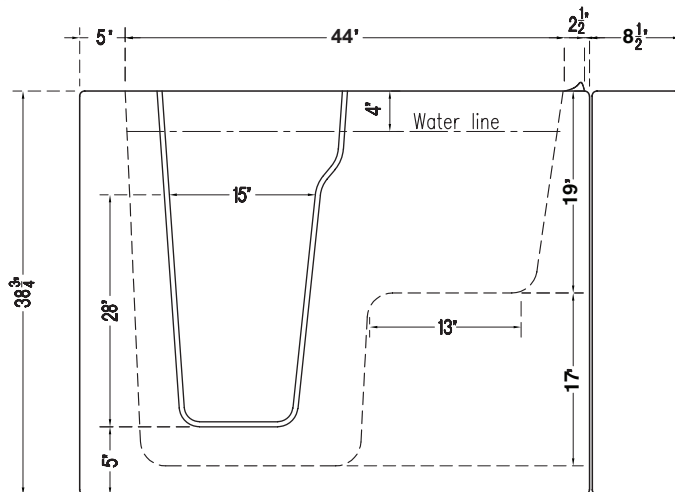
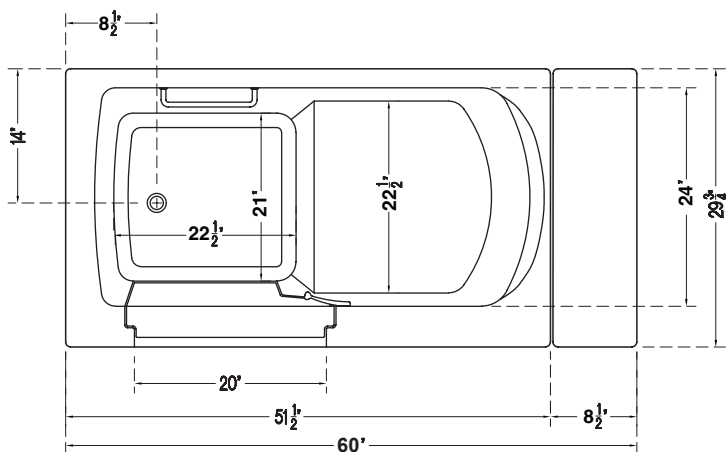
## Phone

Tel: 626-581-3588  
Fax: 800-943-8652

## Web

[www.americantubs.com](http://www.americantubs.com)  
[sales@americantubs.com](mailto:sales@americantubs.com)

# Top View **D3052KS Walk-In Tub** Side View



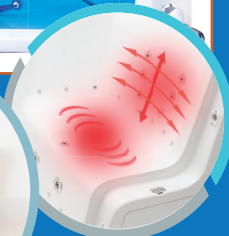
D3052KS SPECIFICATION	
Tub Dimensions	29 <sup>3</sup> / <sub>4</sub> " W x 51 <sup>1</sup> / <sub>2</sub> " L x 38 <sup>3</sup> / <sub>4</sub> " H
Top Diagonal	59 <sup>1</sup> / <sub>2</sub> "
Tub Weight	205 lbs.
Crated Dimensions	32" W x 54" L x 49" H
Water Capacity	120 lb. / 58 Gallons (with user inside approximately) 200 lb. / 53 Gallons 250 lb. / 50 Gallons
Seat Dimensions	H: 17"; W: 22 <sup>1</sup> / <sub>2</sub> "
Door Width	20" (At Top)
Door Swing	Inward-Swinging

DRAIN OPTIONS	2" Hurry Drain™
	Secondary Emergency Drain
	Power Drain

FAUCET OPTIONS	Elite	4 pcs	Chrome	Modern
	Bellevue	5 pcs	Chrome	Modern
	Bellevue	5 pcs	Satin Nickel	Modern
	Bellevue	5 pcs	Oil-Rubbed Bronze	Modern

## Add-Ons And Upgrades Optional Accessories

- Hydro Massage System
- Air Massage System
- Vibro Jet Massage System
- Microbubbles System
- Legs Only Massage System
- Chromotherapy Light System
- Aromatherapy System
- Ozone Sanitization System
- In-Line and Friction Heaters
- Additional Hip or Knee Jets
- Bidet Jet System
- Heated Seat and Backrest
- Swing Glass Shower Door
- Swinging/Sliding Shower Door
- 4 Panel Folding Shower Screen
- L-Shaped and Straight Shower Rod Kits
- Rain Shower Faucet Package
- Adjustable Handheld Shower Holder
- Tile Flange Kit
- End Panel for the Seat and/or Faucet Side
- Neck Rest Pillow and Seat Cushion
- Bathing Support Harness
- U Safety Grab Bar



Heated Seat

Microbubble Skin Therapy System



Plumbing Safety Certified

Electrical Safety Certified

Limited Lifetime Warranty

Expedited Freight Shipping (less than 2 weeks)

**American Tubs**

1101 Fullerton Rd. City Of Industry, CA 91748  
Tel: 626-581-3588 Fax: 800-943-8652

[www.americantubs.com](http://www.americantubs.com) [sales@americantubs.com](mailto:sales@americantubs.com)

