



WHEELCHAIR SERIES

D3052KW Walk-In Tub

The American Tubs **D3052KW** from our Wheelchair Series represents an ambitious balance of accessibility, compactness, and functionality.

The 30" wide, outward-swinging door allows near full front access to the seat making transfers from a wheelchair simpler, while still being able to open the door fully in a narrow, 60" wide bathroom space.

The D3052KW come highly recommended by in-home healthcare professionals for its simplicity when assisting wheelchair users, seniors with dramatically limited mobility, veterans, para- or quadriplegics, amputees, and those individuals with special needs. Special attention was paid to the door and locking mechanism to ensure a worry-free, leak-proof door seal. It is an excellent choice for individuals up to 220 lbs.

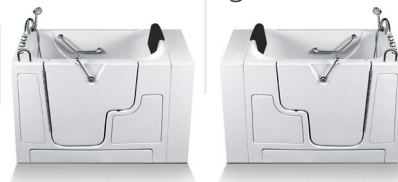


Therapeutic System Options

- Hydromassage System – 10 Jet
- Air Massage System – 20 Jet
- MicroBubble Skin-Cleansing System

Door/ Drain Orientation

- Left-Hand or Right Hand



Available Colors

- White or Biscuit



Standard Features

- Marine-Grade Fiberglass & Resin Composite Tub Shell
- High-Gloss, Triple-Coated Gelcoat Finish
- One-Piece, Stainless Steel Support Frame
- 6 Adjustable Leveling Legs
- Low, 6" Door Threshold
- Ergonomic Curved Door Handle
- Water-Tight Door Seal
- 17" High, ADA-Compliant, Contoured Seat
- Interior Safety Grab Bar
- Deck-Mounted, U-Shaped Grab Bar
- Non-Slip Textured Floor
- Integrated Door Drain
- 2 Integrated Front Access Maintenance Panels
- Color-Matched Extension Kit to fill 60"
- Flangeless Design

Contact Us

Address

1101 Fullerton Rd.
City Of Industry, CA 91748

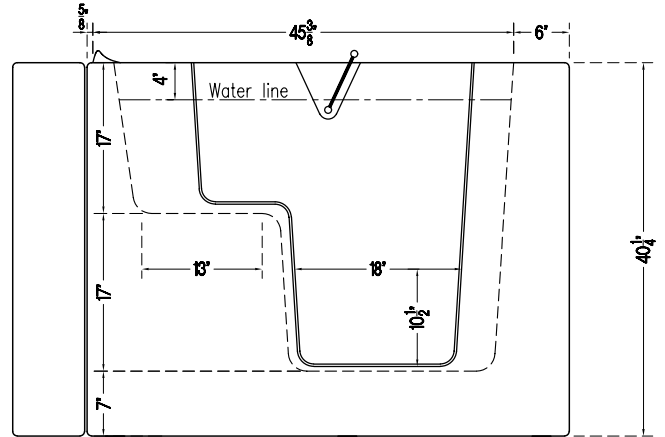
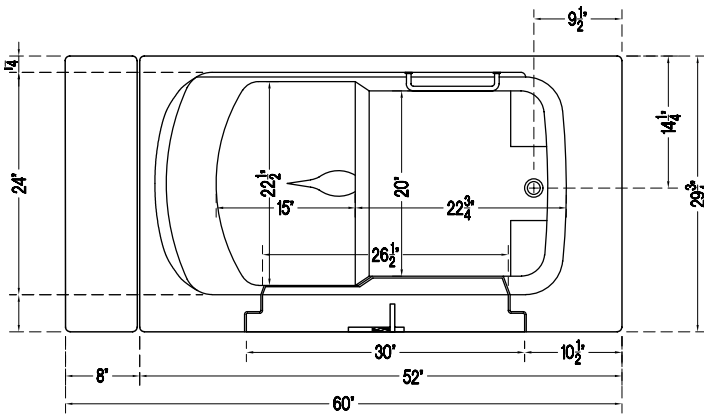
Phone

Tel: 626-581-3588
Fax: 800-943-8652

Web

www.americantubs.com
sales@americantubs.com

Top View **D3052KW Walk-In Tub** Side View



D3052KW SPECIFICATIONS

Tub Dimensions	29 ³ / ₄ " W x 52" L x 40 ¹ / ₄ " H
Top Diagonal	60"
Tub Weight	185 lbs.
Crated Dimensions	32" W x 54" L x 49" H
Water Capacity	120 lb. / 63 Gallons
(with user inside approximately)	200 lb. / 58 Gallons 250 lb. / 55 Gallons
Seat Dimensions	H: 17"; W: 22 ¹ / ₂ "
Door Width	30" (at top)
Door Swing	Outward-Swinging

DRAIN OPTIONS

2" Hurry Drain™
Secondary Emergency Drain
Power Drain

FAUCET OPTIONS

Elite	4 pcs	Chrome	Modern
Bellevue	5 pcs	Chrome	Modern
Bellevue	5 pcs	Satin Nickel	Modern
Bellevue	5 pcs	Oil-Rubbed Bronze	Modern

Add-Ons And Upgrads

- Hydro Massage System
- Air Massage System
- Micro Bubble System
- Leg Massage Only System
- Chromotherapy Light System
- Aromatherapy System
- Ozone Sanitization System
- Water-Heating Syllent Pump
- Friction Heater
- Inline Heater
- Additional Hip or Knee Jets

Optional Accessories

- Heated Seat & Backrest
- Swinging Glass Shower Door
- L-Shaped Shower Curtain Rod
- Adjustable Shower Slide Bar
- Neck Rest Pillow
- Seat Cushion
- End Panel for Seat and/or Faucet Side
- Optional Tile Flange Kit
- Additional 12" Extension Kit
- Bathing Support Harness



Microbubble
Skin Therapy System

Heated Seat



Plumbing Safety
Certified



Electrical Safety
Certified



Limited Lifetime
Warranty



Expedited Freight Shipping
(less than 2 weeks)



American Tubs

1101 Fullerton Rd. City Of Industry, CA 91748

Tel: 626-581-3588 Fax: 800-943-8652

www.americantubs.com sales@americantubs.com