



WHEELCHAIR SERIES

D2852KW Walk-In Tub

The American Tubs **D2852KW** from our Wheelchair Series is the newest addition to our outward-swinging door tubs and comes packed with specialty features.

The 34 ¾", extra wide, outward-swinging door is the highlight of this slide-in or transfer seat walk-in tub design. The full seat access from the exterior of the tubs was specifically engineered to accommodate wheelchair users, seniors with dramatically limited mobility, paraplegics, amputees, and those individuals with special needs.

Understandably, the D2852KW comes highly recommended by in-home and long-term healthcare professionals. Special attention was paid to the door and locking mechanism to ensure a worry-free, leak-proof door seal. The D2852KW is also an excellent choice for slimmer individuals up to 220 lbs.



Therapeutic System Options

- Hydromassage System – 10 Jet
- Air Massage System – 20 Jet
- MicroBubble Skin-Cleansing System

Door/ Drain Orientation

- Left-Hand or Right Hand



Available Colors

- White or Biscuit



Standard Features

- Marine-Grade Fiberglass & Resin Composite Tub Shell
- High-Gloss, Triple-Coated Gelcoat Finish
- One-Piece, Stainless Steel Support Frame
- 6 Adjustable Leveling Legs
- Low, 6" Door Threshold
- Ergonomic Curved Door Handle
- Water-Tight Door Seal
- 17" High, ADA-Compliant, Contoured Seat
- Interior Safety Grab Bar
- Deck-Mounted, U-Shaped Grab Bar
- Non-Slip Textured Floor
- Integrated Door Drain
- 2 Integrated Front Access Maintenance Panels
- Color-Matched Extension Kit to fill 60"
- Flangeless Design

Contact Us

Address

1101 Fullerton Rd.
City Of Industry, CA 91748

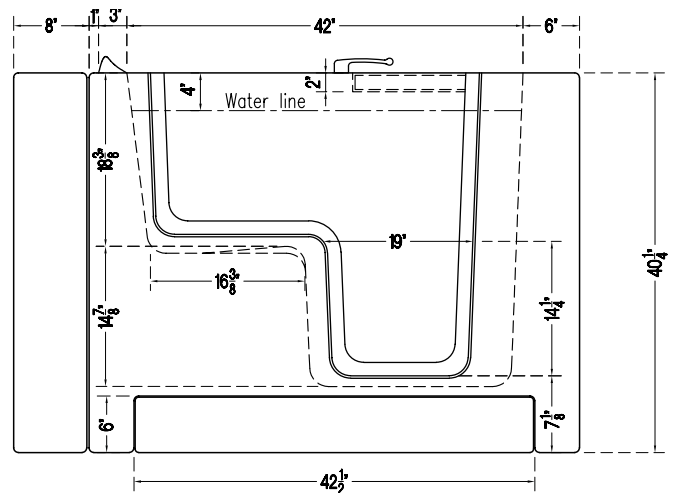
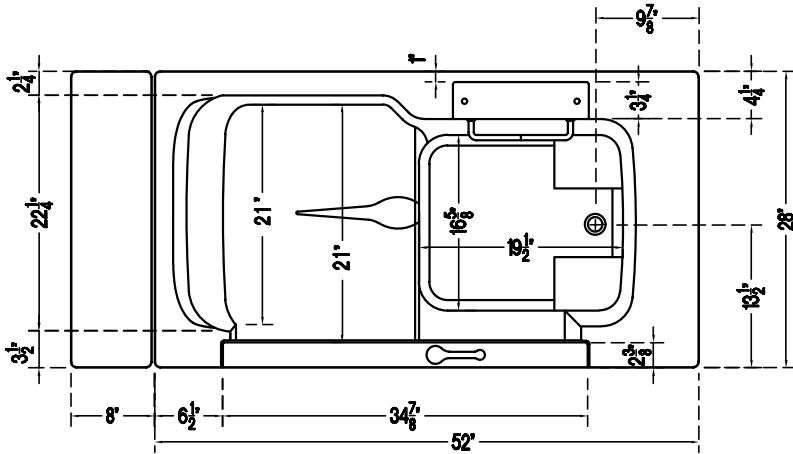
Phone

Tel: 626-581-3588
Fax: 800-943-8652

Web

www.americantubs.com
sales@americantubs.com

Top View **D2852KW Walk-In Tub** Side View



D2852KW SPECIFICATIONS

Tub Dimensions	28" W x 52" L x 40 1/4" H
Top Diagonal	59 1/4"
Tub Weight	200 lbs.
Crated Dimensions	30" W x 54" L x 52" H
Water Capacity	120 lb. / 63 Gallons (with user inside approximately) 200 lb. / 58 Gallons 250 lb. / 55 Gallons
Seat Dimensions	H: 15"; W: 21"
Door Width	34 3/4" (at top)
Door Swing	Outward-Swinging

DRAIN OPTIONS

2" Hurry Drain™
Secondary Emergency Drain
Power Drain

FAUCET OPTIONS

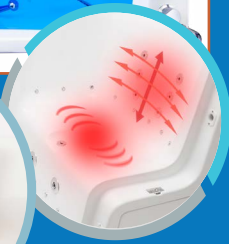
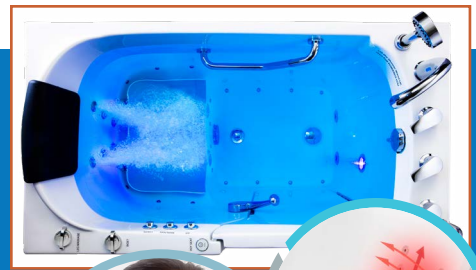
Elite	4 pcs	Chrome	Modern
Bellevue	5 pcs	Chrome	Modern
Bellevue	5 pcs	Satin Nickel	Modern
Bellevue	5 pcs	Oil-Rubbed Bronze	Modern

Add-Ons And Upgrads

- Hydro Massage System
- Air Massage System
- Micro Bubble System
- Leg Massage Only System
- Chromotherapy Light System
- Aromatherapy System
- Ozone Sanitization System
- Water-Heating Syllent Pump
- Friction Heater
- Inline Heater
- Additional Hip or Knee Jets

Optional Accessories

- Heated Seat & Backrest
- Swinging Glass Shower Door
- L-Shaped Shower Curtain Rod
- Adjustable Shower Slide Bar
- Neck Rest Pillow
- Seat Cushion
- End Panel for Seat and/or Faucet Side
- Optional Tile Flange Kit
- Additional 12" Extension Kit
- Bathing Support Harness



Heated Seat

Microbubble Skin Therapy System



Plumbing Safety Certified Electrical Safety Certified Limited Lifetime Warranty Expedited Freight Shipping (less than 2 weeks)



American Tubs

1101 Fullerton Rd. City Of Industry, CA 91748
Tel: 626-581-3588 Fax: 800-943-8652
www.americantubs.com sales@americantubs.com