



# COMPACT SERIES

## D2848KS Walk-In Tub

The American Tubs **D2848KS** from our Compact Series presents an elegant, safe, and rewarding spa experience within a unique space-saving design.

The D2848KS' compact width and length allows for easy maneuverability through narrow doorways, hallways, and fits most bathtub or shower spaces. The tub of choice for either petite users between 100-160 lbs. and shorter than 5'10" tall, or for installation in a 48" shower stall.

This rare tub size enables even mobile homeowners and those with a three-quarter bath to recapture their independence. The curved, "knee-saver" door design makes closing the door much simpler from a seated position.



### Therapeutic System Options

- Hydromassage System – 10 Jet
- Air Massage System – 20 Jet
- MicroBubble Skin-Cleansing System

### Door/ Drain Orientation

- Left-Hand or Right Hand



### Available Colors

- White or Biscuit



### Standard Features

- Marine-Grade Fiberglass & Resin Composite Tub Shell
- High-Gloss, Triple-Coated Gelcoat Finish
- One-Piece, Stainless Steel Support Frame
- 6 Adjustable Leveling Legs
- Low, 6" Door Threshold
- Ergonomic Curved Door Handle
- Water-Tight Door Seal
- 17" High, ADA-Compliant, Contoured Seat
- Interior Safety Grab Bar
- Deck-Mounted, U-Shaped Grab Bar
- Non-Slip Textured Floor
- Integrated Door Drain
- 2 Integrated Front Access Maintenance Panels
- Color-Matched Extension Kit to fill 60"
- Flangeless Design

### Contact Us

#### Address

1101 Fullerton Rd.  
City Of Industry, CA 91748

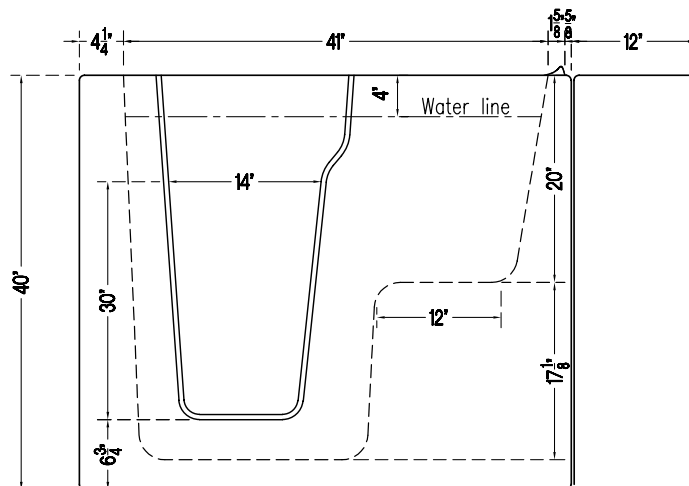
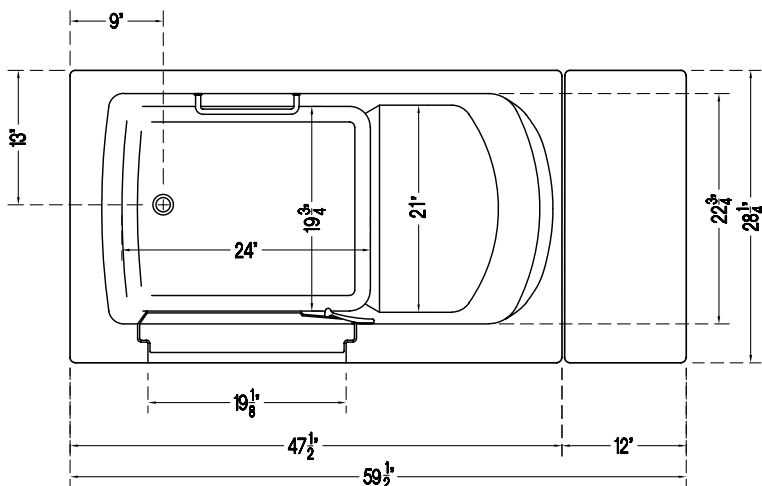
#### Phone

Tel: 626-581-3588  
Fax: 800-943-8652

#### Web

[www.americantubs.com](http://www.americantubs.com)  
[sales@americantubs.com](mailto:sales@americantubs.com)

# Top View **D2848KS Walk-In Tub** Side View



## D2848KS SPECIFICATIONS

Tub Dimensions	28" W x 47½" L x 40" H
Top Diagonal	55"
Tub Weight	144 lbs.
Crated Dimensions	30" W x 50" L x 50" H
Water Capacity	120 lb. / 57 Gallons (with user inside approximately) 200 lb. / 52 Gallons 250 lb. / 50 Gallons
Seat Dimensions	H: 17"; W: 21"
Door Width	19" (At Top)
Door Swing	Inward-Swinging

## DRAIN OPTIONS

2" Hurry Drain™
Secondary Emergency Drain
Power Drain

## FAUCET OPTIONS

Elite	4 pcs	Chrome	Modern
Bellevue	5 pcs	Chrome	Modern
Bellevue	5 pcs	Satin Nickel	Modern
Bellevue	5 pcs	Oil-Rubbed Bronze	Modern

## Add-Ons And Upgrads

- Hydro Massage System
- Air Massage System
- Micro Bubble System
- Leg Massage Only System
- Chromotherapy Light System
- Aromatherapy System
- Ozone Sanitization System
- Water-Heating Syllent Pump
- Friction Heater
- Inline Heater
- Additional Hip or Knee Jets

## Optional Accessories

- Heated Seat & Backrest
- Swinging Glass Shower Door
- L-Shaped Shower Curtain Rod
- Adjustable Shower Slide Bar
- End Panel for Seat and/or Faucet Side
- Neck Rest Pillow
- Seat Cushion
- Optional Tile Flange Kit
- Additional 12" Extension Kit
- Bathing Support Harness



Heated Seat

Microbubble  
Skin Therapy System



Plumbing Safety  
Certified



Electrical Safety  
Certified



Limited Lifetime  
Warranty



Expedited Freight Shipping  
(less than 2 weeks)



## American Tubs

1101 Fullerton Rd. City Of Industry, CA 91748  
Tel: 626-581-3588 Fax: 800-943-8652

[www.americantubs.com](http://www.americantubs.com) [sales@americantubs.com](mailto:sales@americantubs.com)