



COMPACT SERIES

D2646KS Walk-In Tub

The American Tubs **D2646KS** from our compact series presents an elegant, safe and rewarding spa experience within a unique, space-saving design.

The D2646KS's compact width and length allows for easy maneuverability through narrow doorways, hallways, and perfectly fits in tight spaces.

This is the tub of choice for either petite users between 80-140 lbs. and shorter than 5'6" tall, or for installation in a 48" shower stall. This rare tub size enables even mobile homeowners and those with a three-quarter bath to recapture their independence.



Therapeutic System Options

- Hydromassage System – 10 Jet
- Air Massage System – 20 Jet
- MicroBubble Skin-Cleansing System

Door/ Drain Orientation

- Left-Hand or Right Hand



Available Colors

- White or Biscuit



Standard Features

- Marine-Grade Fiberglass & Resin Composite Tub Shell
- High-Gloss, Triple-Coated Gelcoat Finish
- One-Piece, Stainless Steel Support Frame
- 6 Adjustable Leveling Legs
- Low, 6" Door Threshold
- Ergonomic Curved Door Handle
- Water-Tight Door Seal
- 17" High, ADA-Compliant, Contoured Seat
- Interior Safety Grab Bar
- Deck-Mounted, U-Shaped Grab Bar
- Non-Slip Textured Floor
- Integrated Door Drain
- 2 Integrated Front Access Maintenance Panels
- Color-Matched Extension Kit to fill 60"
- Flangeless Design

Contact Us

Address

1101 Fullerton Rd.
City Of Industry, CA 91748

Phone

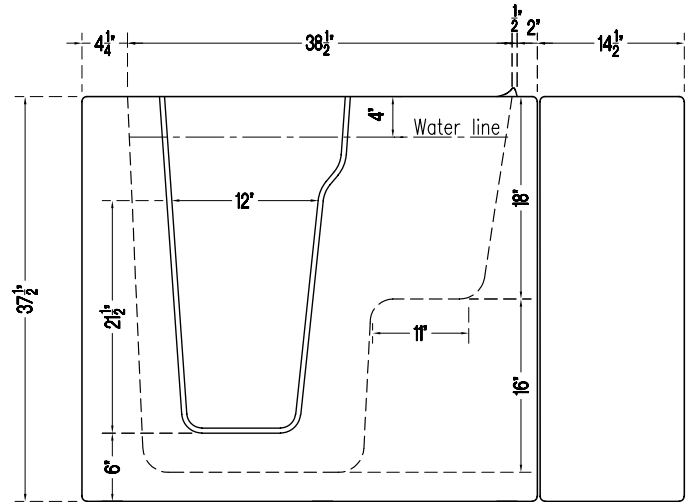
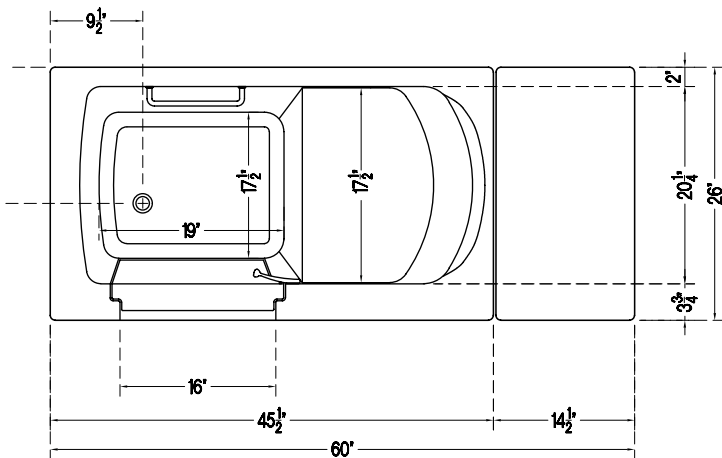
Tel: 626-581-3588
Fax: 800-943-8652

Web

www.americantubs.com
sales@americantubs.com

Top View **D2646KS Walk-In Tub**

Side View



D2646KS SPECIFICATIONS

Tub Dimensions	26" W x 45½" L x 37½" H
Top Diagonal	52½"
Tub Weight	155 lbs.
Crated Dimensions	28" W x 47" L x 48" H
Water Capacity (with user inside approximately)	120 lb. / 40 Gallons 200 lb. / 36 Gallons 250 lb. / 34 Gallons
Seat Dimensions	H: 16"; W: 17½"
Door Width	16" (At Top)
Door Swing	Inward-Swinging

DRAIN OPTIONS

2" Hurry Drain™
Secondary Emergency Drain
Power Drain

FAUCET OPTIONS

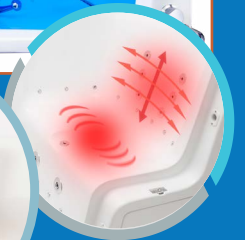
Elite	4 pcs	Chrome	Modern
Bellevue	5 pcs	Chrome	Modern
Bellevue	5 pcs	Satin Nickel	Modern
Bellevue	5 pcs	Oil-Rubbed Bronze	Modern

Add-Ons And Upgrads

- Hydro Massage System
- Air Massage System
- Micro Bubble System
- Leg Massage Only System
- Chromatherapy Light System
- Aromatherapy System
- Ozone Sanitization System
- Water-Heating Syllent Pump
- Friction Heater
- Inline Heater
- Additional Hip or Knee Jets

Optional Accessories

- Heated Seat & Backrest
- Swinging Glass Shower Door
- L-Shaped Shower Curtain Rod
- Adjustable Shower Slide Bar
- End Panel for Seat and/or Faucet Side
- Neck Rest Pillow
- Seat Cushion
- Optional Tile Flange Kit
- Additional 12" Extension Kit
- Bathing Support Harness



Heated Seat

Microbubble
Skin Therapy System



Plumbing Safety Certified

Electrical Safety Certified

Limited Lifetime Warranty

Expedited Freight Shipping (less than 2 weeks)



American Tubs

1101 Fullerton Rd. City Of Industry, CA 91748

Tel: 626-581-3588 Fax: 800-943-8652

www.americantubs.com sales@americantubs.com