



STANDARD SERIES D3060KX Walk-In Tub

The American Tubs **D3060KX** from our Standard Series has been a staple in the walk-in tub industry for over three decades. Its 30" width and full 60" length perfectly fits into most standard tub or showers spaces, while its extra-wide 20 ½" seat provides an extended comfortable bathing position and ample room to stretch your legs. Due to its full 60" length, the D3060KX does not come with a matching extension kit.

When selecting the D3060KX, it is important to consider the turning radius and other maneuverability factors to ensure it can be easily positioned in the bathing space and subsequently installed. The D3060KX is the perfect choice for individuals with long legs between 120-230lbs.



Therapeutic System Options

- Hydromassage System – 10 Jet
- Air Massage System – 20 Jet
- MicroBubble Skin-Cleansing System

Door/ Drain Orientation

- Left-Hand or Right Hand



Available Colors

- White or Biscuit



Standard Features

- Marine-Grade Fiberglass & Resin Composite Tub Shell
- High-Gloss, Triple-Coated Gelcoat Finish
- One-Piece, Stainless Steel Support Frame
- 6 Adjustable Leveling Legs
- Low, 6" Door Threshold
- Ergonomic Curved Door Handle
- Water-Tight Door Seal
- 17" High, ADA-Compliant, Contoured Seat
- Interior Safety Grab Bar
- Deck-Mounted, U-Shaped Grab Bar
- Non-Slip Textured Floor
- Integrated Door Drain
- 2 Integrated Front Access Maintenance Panels
- Color-Matched Extension Kit to fill 60"
- Flangeless Design

Contact Us Address

1101 Fullerton Rd.
City Of Industry, CA 91748

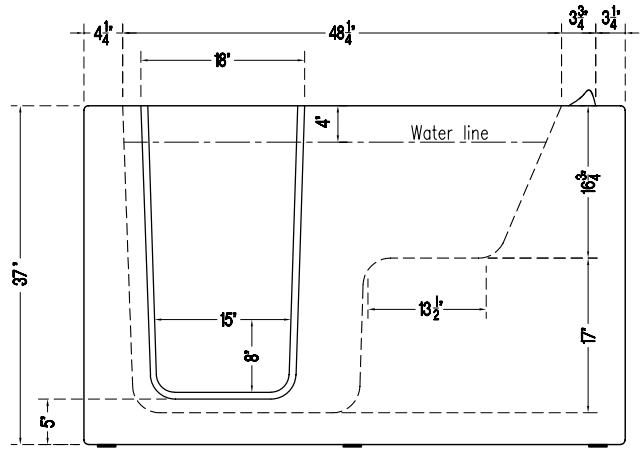
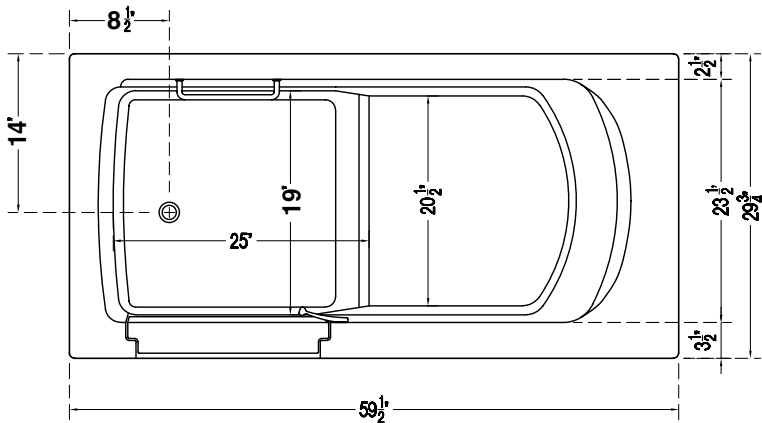
Phone

Tel: 626-581-3588
Fax: 800-943-8652

Web

www.americantubs.com
sales@americantubs.com

Top View **D3060KX Walk-In Tub** Side View



D3060KX SPECIFICATION	
Tub Dimensions	30" W x 60" L x 36" H
Top Diagonal	66 1/4"
Tub Weight	155 lbs.
Crated Dimensions	33" W x 61" L x 44" H
Water Capacity (with user inside approximately)	120 lb. / 71 Gallons 200 lb. / 66 Gallons 250 lb. / 60 Gallons
Seat Dimensions	H: 17"; W: 20 1/2"
Door Width	18" (At Top)
Door Swing	Inward-Swinging

DRAIN OPTIONS	2" Hurry Drain™	
	Secondary Emergency Drain	
	Power Drain	

FAUCET OPTIONS	Elite	4 pcs	Chrome	Modern
	Bellevue	5 pcs	Chrome	Modern
	Bellevue	5 pcs	Satin Nickel	Modern
	Bellevue	5 pcs	Oil-Rubbed Bronze	Modern

Add-Ons And Upgrads

- Hydro Massage System
- Air Massage System
- Micro Bubble System
- Leg Massage Only System
- Chromotherapy Light System
- Aromatherapy System
- Ozone Sanitization System
- Water-Heating Syllent Pump
- Friction Heater
- Inline Heater
- Additional Hip or Knee Jets

Optional Accessories

- Heated Seat & Backrest
- Swinging Glass Shower Door
- L-Shaped Shower Curtain Rod
- Adjustable Shower Slide Bar
- Neck Rest Pillow
- Seat Cushion
- End Panel for Seat and/or Faucet Side
- Optional Tile Flange Kit
- Additional 12" Extension Kit
- Bathing Support Harness



Microbubble Skin Therapy System

Heated Seat



Plumbing Safety Certified

Electrical Safety Certified

Limited Lifetime Warranty

Expedited Freight Shipping (less than 2 weeks)



American Tubs

1101 Fullerton Rd. City Of Industry, CA 91748

Tel: 626-581-3588 Fax: 800-943-8652

www.americantubs.com sales@americantubs.com