



## EXTRA WIDE AND DEEP SERIES **D3055KD Walk-In Tub**

The American Tubs D3055KD from our Extra Wide and Deep Series encapsulates the essence of a luxurious and pampering walk-in tub experience. With its 46" height and lavish bathing depth, the D3055KD is the deepest walk-in tub on the market. Emulating the immense soaking baths found in Japan, the D3055KD enables the bather to fully immerse themselves in warm water for a truly sumptuous bathing experience. This is an excellent tub choice for users 6'2" or taller. It is very important to consider the size of the current hot water heater when evaluating this model for your home, as it can require upwards of 95 gallons of water with a smaller bather. To ensure a balmy and relaxing bath, most homeowners pair the D3055KD with a new, larger hot water heater tank, our fast-fill faucets and patented 2" HurryDrain™.



### Therapeutic System Options

- Hydromassage System – 10 Jet
- Air Massage System – 20 Jet
- MicroBubble Skin-Cleansing System

### Door/ Drain Orientation

- Left-Hand or Right Hand



### Available Colors

- White or Biscuit



### Standard Features

- Marine-Grade Fiberglass & Resin Composite Tub Shell
- High-Gloss, Triple-Coated Gelcoat Finish
- One-Piece, Stainless Steel Support Frame
- 6 Adjustable Leveling Legs
- Low, 6" Door Threshold
- Ergonomic Curved Door Handle
- Water-Tight Door Seal
- 17" High, ADA-Compliant, Contoured Seat
- Interior Safety Grab Bar
- Deck-Mounted, U-Shaped Grab Bar
- Non-Slip Textured Floor
- Integrated Door Drain
- 2 Integrated Front Access Maintenance Panels
- Color-Matched Extension Kit to fill 60"
- Flangeless Design

### Contact Us Address

1101 Fullerton Rd.  
City Of Industry, CA 91748

### Phone

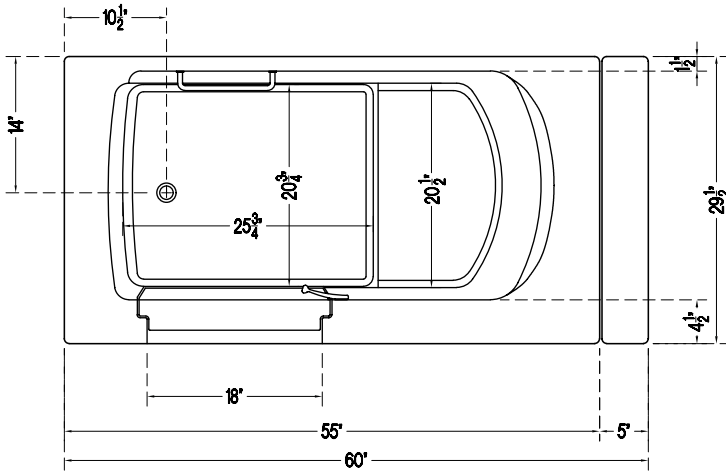
Tel: 626-581-3588  
Fax: 800-943-8652

### Web

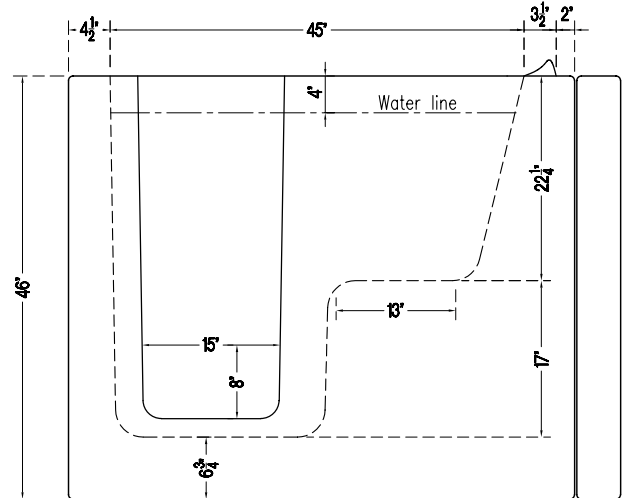
[www.americantubs.com](http://www.americantubs.com)  
[sales@americantubs.com](mailto:sales@americantubs.com)

# D3055KD Walk-In Tub

Top View



Side View



## D3055KD SPECIFICATIONS

Tub Dimensions	29½" W x 55" L x 46" H
Top Diagonal	62½"
Tub Weight	190 lbs.
Crated Dimensions	32¾" W x 56½" L x 56" H
Water Capacity (with user inside approximately)	120 lb. / 100 Gallons 200 lb. / 95 Gallons 250 lb. / 90 Gallons
Seat Dimensions	H: 17"; W: 20½"
Door Width	18" (At Top)
Door Swing	Inward-Swinging

## DRAIN OPTIONS

2" Hurry Drain™
Secondary Emergency Drain
Power Drain

## FAUCET OPTIONS

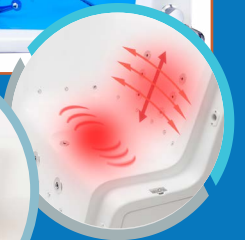
Elite	4 pcs	Chrome	Modern
Bellevue	5 pcs	Chrome	Modern
Bellevue	5 pcs	Satin Nickel	Modern
Bellevue	5 pcs	Oil-Rubbed Bronze	Modern

## Add-Ons And Upgrads

- Hydro Massage System
- Air Massage System
- Micro Bubble System
- Leg Massage Only System
- Chromatherapy Light System
- Aromatherapy System
- Ozone Sanitization System
- Water-Heating Syllent Pump
- Friction Heater
- Inline Heater
- Additional Hip or Knee Jets

## Optional Accessories

- Heated Seat & Backrest
- Swinging Glass Shower Door
- L-Shaped Shower Curtain Rod
- Adjustable Shower Slide Bar
- Neck Rest Pillow
- Seat Cushion
- End Panel for Seat and/or Faucet Side
- Optional Tile Flange Kit
- Additional 12" Extension Kit
- Bathing Support Harness



Heated Seat

Microbubble  
Skin Therapy System



Plumbing Safety  
Certified



Electrical Safety  
Certified



Limited Lifetime  
Warranty



Expedited Freight Shipping  
(less than 2 weeks)



## American Tubs

1101 Fullerton Rd. City Of Industry, CA 91748

Tel: 626-581-3588 Fax: 800-943-8652

[www.americantubs.com](http://www.americantubs.com) [sales@americantubs.com](mailto:sales@americantubs.com)