



COMPACT SERIES

D2653KX Walk-In Tub

The American Tubs **D2653KX** from our Compact Series presents an elegant, safe, and rewarding spa experience within a unique compact design.

The D2653KX's minimal footprint maneuvers easily through most narrow doorways, hallways and fits most bathtub or shower spaces. This space saving design is often the most cost-effective unit as its outer dimensions minimize construction costs.

With it's 16" wide doorway and 36" overall height, the D2653KX is an excellent pairing for petite users averaging 5'4" in height and between 90-140lbs



Therapeutic System Options

- Hydromassage System – 10 Jet
- Air Massage System – 20 Jet
- MicroBubble Skin-Cleansing System

Door/ Drain Orientation

- Left-Hand or Right Hand



Available Colors

- White or Biscuit



Standard Features

- Marine-Grade Fiberglass & Resin Composite Tub Shell
- High-Gloss, Triple-Coated Gelcoat Finish
- One-Piece, Stainless Steel Support Frame
- 6 Adjustable Leveling Legs
- Low, 6" Door Threshold
- Ergonomic Curved Door Handle
- Water-Tight Door Seal
- 17" High, ADA-Compliant, Contoured Seat
- Interior Safety Grab Bar
- Deck-Mounted, U-Shaped Grab Bar
- Non-Slip Textured Floor
- Integrated Door Drain
- 2 Integrated Front Access Maintenance Panels
- Color-Matched Extension Kit to fill 60"
- Flangeless Design

Contact Us

Address

1101 Fullerton Rd.
City Of Industry, CA 91748

Phone

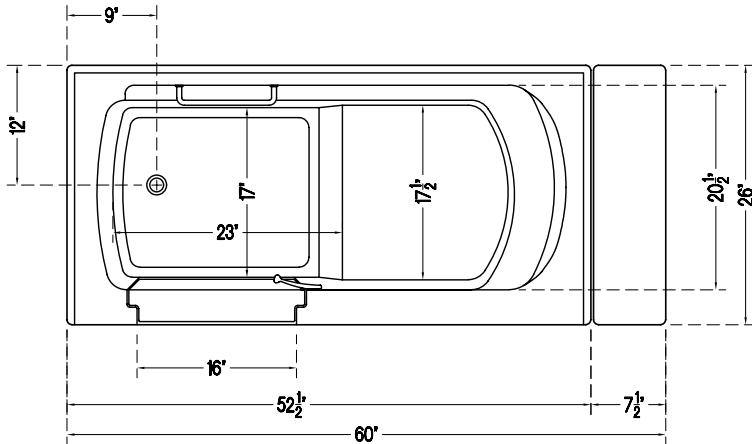
Tel: 626-581-3588
Fax: 800-943-8652

Web

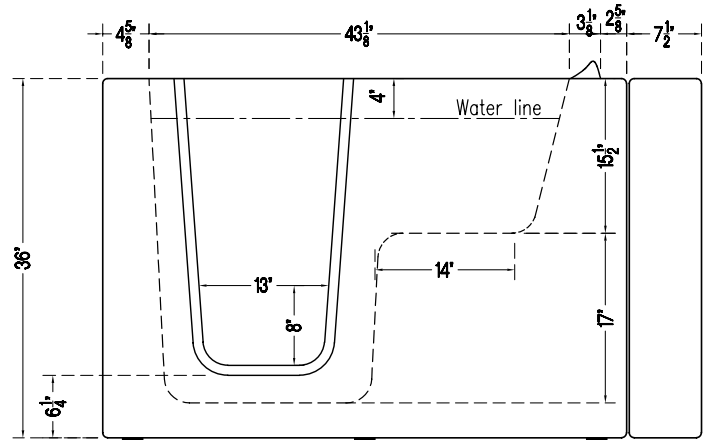
www.americantubs.com
sales@americantubs.com

D2653KX Walk-In Tub

Top View



Side View



D2653KX SPECIFICATION

Tub Dimensions	26" W x 52½" L x 36" H
Top Diagonal	58¾"
Tub Weight	150 lbs.
Crated Dimensions	28" W x 55" L x 46" H
Water Capacity (with user inside approximately)	120 lb. / 46 Gallons 150 lb. / 44 Gallons 200 lb. / 42 Gallons
Seat Dimensions	H: 17"; W: 17½"
Door Width	16" (At Top)
Door Swing	Inward-Swinging

DRAIN OPTIONS

2" Hurry Drain™
Secondary Emergency Drain
Power Drain

FAUCET OPTIONS

Elite	4 pcs	Chrome	Modern
Bellevue	5 pcs	Chrome	Modern
Bellevue	5 pcs	Satin Nickel	Modern
Bellevue	5 pcs	Oil-Rubbed Bronze	Modern

Add-Ons And Upgrads

- Hydro Massage System
- Air Massage System
- Micro Bubble System
- Leg Massage Only System
- Chromotherapy Light System
- Aromatherapy System
- Ozone Sanitization System
- Water-Heating Syllent Pump
- Friction Heater
- Inline Heater
- Additional Hip or Knee Jets

Optional Accessories

- Heated Seat & Backrest
- Swinging Glass Shower Door
- L-Shaped Shower Curtain Rod
- Adjustable Shower Slide Bar
- End Panel for Seat and/or Faucet Side
- Neck Rest Pillow
- Seat Cushion
- Optional Tile Flange Kit
- Additional 12" Extension Kit
- Bathing Support Harness



Heated Seat

Microbubble
Skin Therapy System



Plumbing Safety
Certified

Electrical Safety
Certified

Limited Lifetime
Warranty

Expedited Freight Shipping
(less than 2 weeks)



American Tubs

1101 Fullerton Rd. City Of Industry, CA 91748

Tel: 626-581-3588 Fax: 800-943-8652

www.americantubs.com sales@americantubs.com