



STANDARD SERIES

D3052KS Walk-In Tub

The American Tubs **D3052KS** from our Standard Series represents an updated twist on the more traditional walk-in tub design. With its 40" high tub basin, the D3052KS offers an increased bathing depth while maintaining a compact footprint for small bathrooms. Its overall size and 20 ½" seat make the D3052KS the perfect size for narrow bathrooms, while being large enough to accommodate individuals between 120-250lbs.

The innovative curved door design, affectionately called the "knee saver" design, makes closing the door from a seated position much simpler, while its 20" door width provides ample entry space for larger individuals. This newer rendition of the D3052KS has overtaken other traditional models as one of our top sellers.



Therapeutic System Options

- Hydromassage System – 10 Jet
- Air Massage System – 20 Jet
- MicroBubble Skin-Cleansing System

Door/ Drain Orientation

- Left-Hand or Right Hand



Available Colors

- White or Biscuit



Standard Features

- Marine-Grade Fiberglass & Resin Composite Tub Shell
- High-Gloss, Triple-Coated Gelcoat Finish
- One-Piece, Stainless Steel Support Frame
- 6 Adjustable Leveling Legs
- Low, 6" Door Threshold
- Ergonomic Curved Door Handle
- Water-Tight Door Seal
- 17" High, ADA-Compliant, Contoured Seat
- Interior Safety Grab Bar
- Deck-Mounted, U-Shaped Grab Bar
- Non-Slip Textured Floor
- Integrated Door Drain
- 2 Integrated Front Access Maintenance Panels
- Color-Matched Extension Kit to fill 60"
- Flangeless Design

Contact Us

Address

1101 Fullerton Rd.
City Of Industry, CA 91748

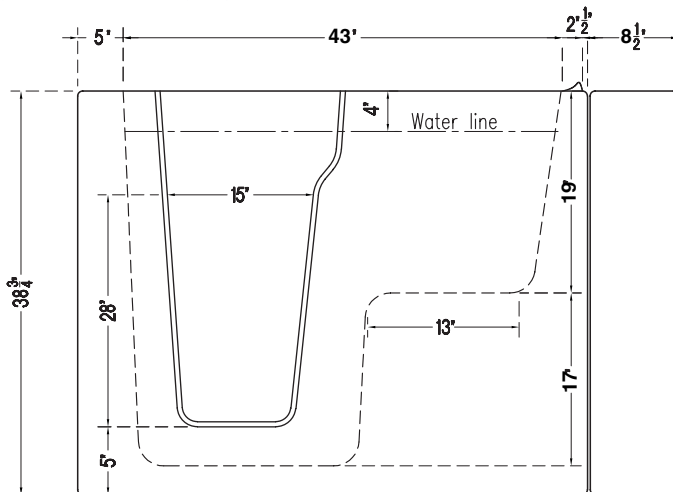
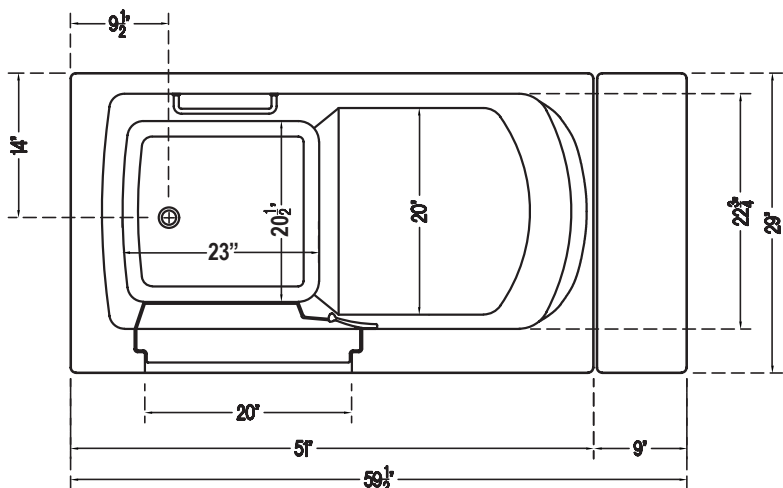
Phone

Tel: 626-581-3588
Fax: 800-943-8652

Web

www.americantubs.com
sales@americantubs.com

Top View **D3052KS Walk-In Tub** Side View



D3052KS SPECIFICATION

Tub Dimensions	29½" W x 51½" L x 40" H
Top Diagonal	59½"
Tub Weight	205 lbs.
Crated Dimensions	31½" W x 53½" L x 49" H
Water Capacity	120 lb. / 58 Gallons (with user inside approximately) 200 lb. / 53 Gallons 250 lb. / 50 Gallons
Seat Dimensions	H: 17"; W: 20"
Door Width	20" (At Top)
Door Swing	Inward-Swinging

DRAIN OPTIONS

2" Hurry Drain™
Secondary Emergency Drain
Power Drain

FAUCET OPTIONS

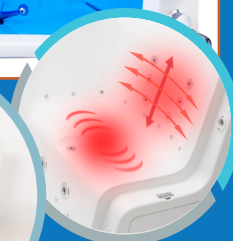
Elite	4 pcs	Chrome	Modern
Bellevue	5 pcs	Chrome	Modern
Bellevue	5 pcs	Satin Nickel	Modern
Bellevue	5 pcs	Oil-Rubbed Bronze	Modern

Add-Ons And Upgrads

- Hydro Massage System
- Air Massage System
- Micro Bubble System
- Leg Massage Only System
- Chromatherapy Light System
- Aromatherapy System
- Ozone Sanitization System
- Water-Heating Syllent Pump
- Friction Heater
- Inline Heater
- Additional Hip or Knee Jets

Optional Accessories

- Heated Seat & Backrest
- Anti-Scald Valve
- Swinging Glass Shower Door
- L-Shaped Shower Curtain Rod
- Adjustable Shower Slide Bar
- Neck Rest Pillow
- Seat Cushion
- End Panel for Seat and/or Faucet Side
- Optional Tile Flange Kit
- Additional 12" Extension Kit
- Bathing Support Harness



Heated Seat

Microbubble
Skin Therapy System



Plumbing Safety
Certified

Electrical Safety
Certified

Limited Lifetime
Warranty

Expedited Freight Shipping
(less than 2 weeks)



American Tubs

1101 Fullerton Rd. City Of Industry, CA 91748
Tel: 626-581-3588 Fax: 800-943-8652

www.americantubs.com sales@americantubs.com