



STANDARD SERIES D2852KS Walk-In Tub

The American Tubs **D2852KS** from our Standard Series allowing user for a roomy and comfortable bathing experience.

Boasting a 41" height, this model provides a deep soak experience for the upper body. Additionally, its relatively compact outer dimensions allow it to be maneuvered easily through most standard doorways, hallways, and stairwells. The innovative curved door design affectionately called the "knee saver", features a large 20" wide upper measurement with a narrow 14" lower width on the door making closing the door while seated significantly easier.

Aesthetically appealing to the eye, yet spacious and accommodating, the D2852KS is ideal for individuals up to 240lbs. It is no wonder the D2852KS is quickly becoming our top seller.



Therapeutic System Options

- Hydromassage System – 10 Jet
- Air Massage System – 20 Jet
- MicroBubble Skin-Cleansing System

Door/ Drain Orientation

- Left-Hand or Right Hand



Available Colors

- White or Biscuit



Standard Features

- Marine-Grade Fiberglass & Resin Composite Tub Shell
- High-Gloss, Triple-Coated Gelcoat Finish
- One-Piece, Stainless Steel Support Frame
- 6 Adjustable Leveling Legs
- Low, 6" Door Threshold
- Ergonomic Curved Door Handle
- Water-Tight Door Seal
- 17" High, ADA-Compliant, Contoured Seat
- Interior Safety Grab Bar
- Deck-Mounted, U-Shaped Grab Bar
- Non-Slip Textured Floor
- Integrated Door Drain
- 2 Integrated Front Access Maintenance Panels
- Color-Matched Extension Kit to fill 60"
- Flangeless Design

Contact Us Address

1101 Fullerton Rd.
City Of Industry, CA 91748

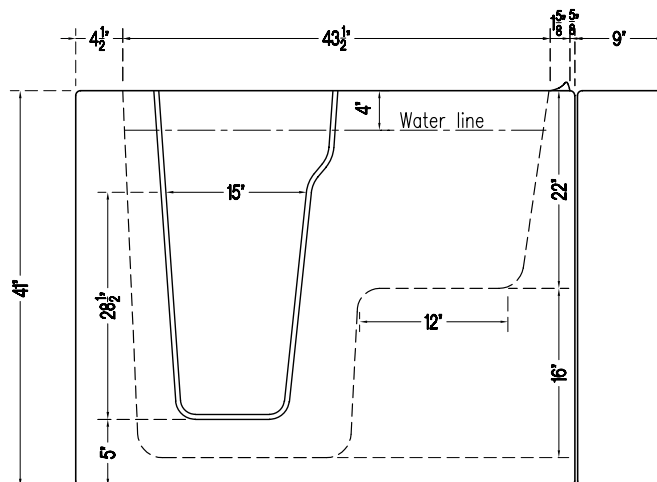
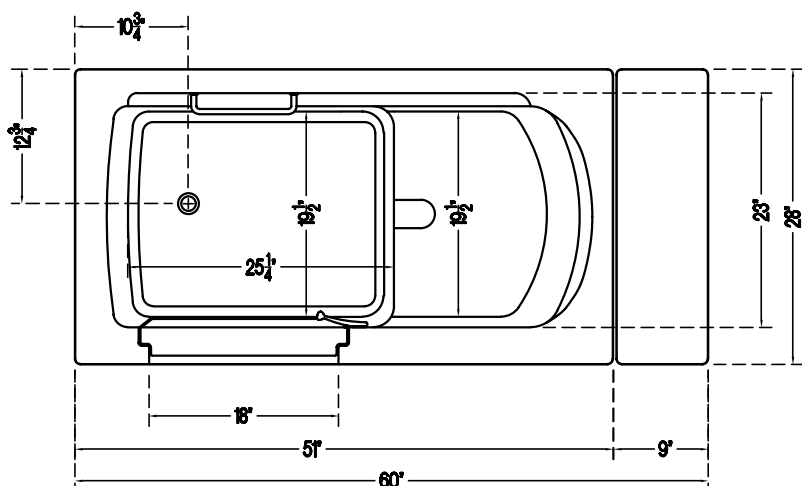
Phone

Tel: 626-581-3588
Fax: 800-943-8652

Web

www.americantubs.com
sales@americantubs.com

Top View **D2852KS Walk-In Tub** Side View



D2852KS SPECIFICATION

Tub Dimensions	28" W x 51" L x 41" H
Top Diagonal	58 1/4"
Tub Weight	150 lbs.
Crated Dimensions	30" W x 53" L x 50" H
Water Capacity (with user inside approximately)	120 lb. / 61 Gallons 200 lb. / 56 Gallons 220 lb. / 54 Gallons
Seat Dimensions	H: 17"; W: 19 1/2"
Door Width	20" (At Top)
Door Swing	Inward-Swinging

DRAIN OPTIONS

2" Hurry Drain™
Secondary Emergency Drain
Power Drain

FAUCET OPTIONS

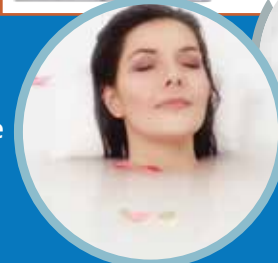
Elite	4 pcs	Chrome	Modern
Bellevue	5 pcs	Chrome	Modern
Bellevue	5 pcs	Satin Nickel	Modern
Bellevue	5 pcs	Oil-Rubbed Bronze	Modern

Add-Ons And Upgrads

- Hydro Massage System
- Air Massage System
- Micro Bubble System
- Leg Massage Only System
- Chromatherapy Light System
- Aromatherapy System
- Ozone Sanitization System
- Water-Heating Syllent Pump
- Friction Heater
- Inline Heater
- Additional Hip or Knee Jets

Optional Accessories

- Heated Seat & Backrest
- Anti-Scald Valve
- Swinging Glass Shower Door
- L-Shaped Shower Curtain Rod
- Adjustable Shower Slide Bar
- End Panel for Seat and/or Faucet Side
- Neck Rest Pillow
- Seat Cushion
- Optional Tile Flange Kit
- Additional 12" Extension Kit
- Bathing Support Harness



Heated Seat

Microbubble Skin Therapy System



Plumbing Safety Certified



Electrical Safety Certified



Limited Lifetime Warranty



Expedited Freight Shipping (less than 2 weeks)



American Tubs

1101 Fullerton Rd. City Of Industry, CA 91748
Tel: 626-581-3588 Fax: 800-943-8652

www.americantubs.com sales@americantubs.com