

CARE Series

3150 WALK-IN TUB

As one of the first walk-in tub models ever designed, the American Tubs 3150 from our CARE Series remains a popular selection for compact bathrooms and offers a safe and elegant spa experience for stouter individuals.

The 3150 offers a safe and elegant spa experience for stouter individuals. With its 22" wide seat and short 36" overall height, this time-tested design grants a roomy bathing experience without the confining interior dimensions of some other tub designs.

This rare sizing brings the safety, comfort and therapy a walk-in tub can afford to families with very restrictive, tight bathrooms.



THERAPEUTIC SYSTEM OPTIONS



Hydromassage System - 10 Jet



Air Massage System - 20 Jet



MicroBubble Skin-Cleansing System

DOOR/DRAIN ORIENTATION

Left-Hand or Right-Hand



AVAILABLE COLORS

White or Biscuit



STANDARD FEATURES

- Marine-Grade Fiberglass & Resin Composite Tub Shell
- High-Gloss, Triple-Coated Gelcoat Finish
- One-Piece, Stainless-Steel Support Frame
- 6 Adjustable Leveling Legs
- Low, 6" Door Threshold
- Ergonomic, Curved Door Handle
- Water-Tight Door Seal
- 17" High, ADA-Compliant, Contoured Seat
- Interior Safety Grab Bar
- Deck-Mounted, U-Shaped Grab Bar
- Non-Slip, Textured Floor
- Integrated Door Drain
- 2 Integrated Front Access Maintenance Panels
- Color-Matched Extension Kit to Fill to 60"
- Flangeless Design

American Tubs

1274 E Cypress St, Covina, CA 91724

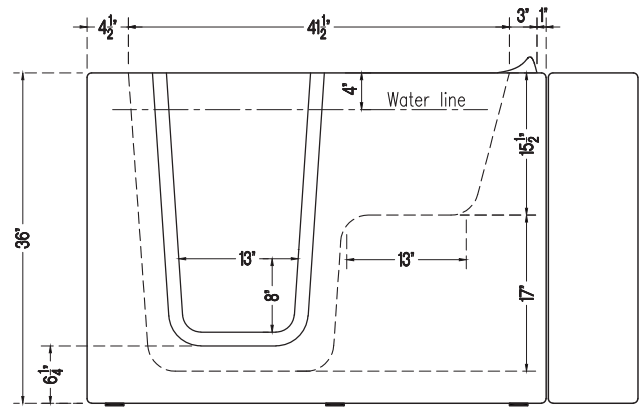
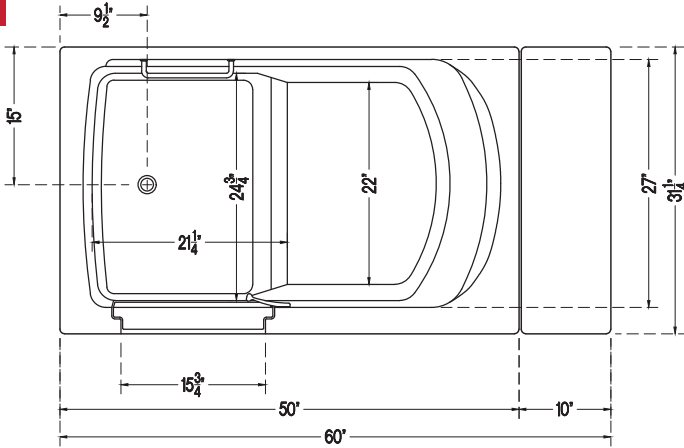
Telephone: 626.581.3588

Fax: 800.943.8652

E-mail: sales@americantubs.com

© 2019 American Tubs

AmericanTubs.com



TUB 3150 SPECIFICATIONS

Tub Dimensions	31 1/4" W x 50" L x 36" H
Top Diagonal	59"
Tub Weight	160 lbs.
Crated Dimensions	32" W x 56" L x 48" H
Water Capacity (with user inside approximately)	120 lb. / 53 Gallons 200 lb. / 48 Gallons 250 lb. / 45 Gallons
Seat Dimensions	H: 17"; W: 22"
Door Width	16" (at top)
Door Swing	Inward-Swinging

DRAIN OPTIONS

1 1/2" Bath Drain & Overflow
2" HurryDrain™
Secondary Emergency Drain
Power Drain

FAUCET OPTIONS

Elite	4 pcs	Chrome	Modern
Bellevue	5 pcs	Chrome	Modern
Bellevue	5 pcs	Satin/Nickel	Modern
Bellevue	5 pcs	Oil-Rubbed Bronze	Modern
Salutation	5 pcs	Chrome	Classic
Kingston	1 pc	Chrome	Compact

Hydromassage System Add-Ons & Upgrades

- Leg Massage Only System
- Adjustable Bidet Jet
- Ozone Sanitization System
- Water-Heating Syllent Pump
- Friction Heater
- Inline Heater
- Additional Hip or Knee Jets
- Aromatherapy System

Optional Accessories

- Chromotherapy Light System
- Heated Seat & Backrest
- Neck Rest Pillow
- Seat Cushion
- L-Shaped Shower Curtain Rod
- Adjustable Shower Slide Bar
- Swinging Glass Shower Door
- Anti-Scald Valve
- Optional Tile Flange Kit
- Additional 12" Extension Kit
- End Panel for Seat and/or Faucet Side
- Bathing Support Harness



Plumbing Safety Certified



Electrical Safety Certified



Limited Lifetime Warranty



Expedited Freight Shipping (less than 2 weeks)



1274 E Cypress St, Covina, CA 91724
 Telephone: 626.581.3588
 Fax: 800.943.8652
 E-mail: sales@americantubs.com
 © 2019 American Tubs

